

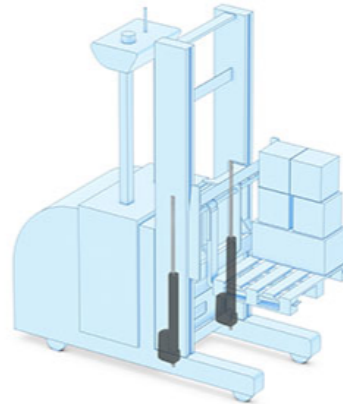


Smart machines start with smart components

Electric linear actuators have come a long way in their ability to become a part of larger, interconnected systems. As detailed in a recent *Plant Services* article, "A closer look at electric linear actuators," the addition of integrated controls has expanded the application possibilities for these components, especially those that previously used hydraulic or pneumatic cylinders.

Features and benefits of smart actuators discussed in the article include:

- Easier control
- Energy savings and lower costs
- Less noise
- Reduced maintenance time



[Read the Article >](#)

[Find Your Ideal Linear Actuator >](#)

+ education/events

Don't miss us at MD&M

Booth #1999

M&M
West
February 11-13, 2020
Anaheim Convention Center
Anaheim, CA

During your visit to Medical Design & Manufacturing West next month, be sure to stop by the Thomson booth (#1999) to learn how our linear motion components can optimize your medical device designs. Our products can be found in many applications, including:

- > Diagnostic/Treatment
- > Lab Automation
- > Patient Handling
- > Packaging/Automation
- > Rehab Equipment

Portescap Don't forget to visit our sister company, Portescap, next to our booth!

+ applications/tools/products

New Instant 3D Quote Tool
Get real-time pricing and lead times, and the option to order customized 60 Case® shafting

Whether it's a custom coaxial hole, a flat, a journal reduction or any other customization or combination thereof, simply upload your special machined shaft or hardened pin 3D model to Thomson's new Instant 3D Quote Tool to get an instant quote. You'll also gain instant access to lead times as well as the option to place your order. No drawing or toleranced 2D print creation necessary. It's that easy.



Upload Your
3D CAD Model

click here

Get an Instant
Quote

Share via Social Media: [Twitter](#) [Facebook](#) [LinkedIn](#) Share via e-mail: [Email](#)

©2019 Thomson Industries
1500 Mittel Blvd, Wood Dale, IL 60191, USA