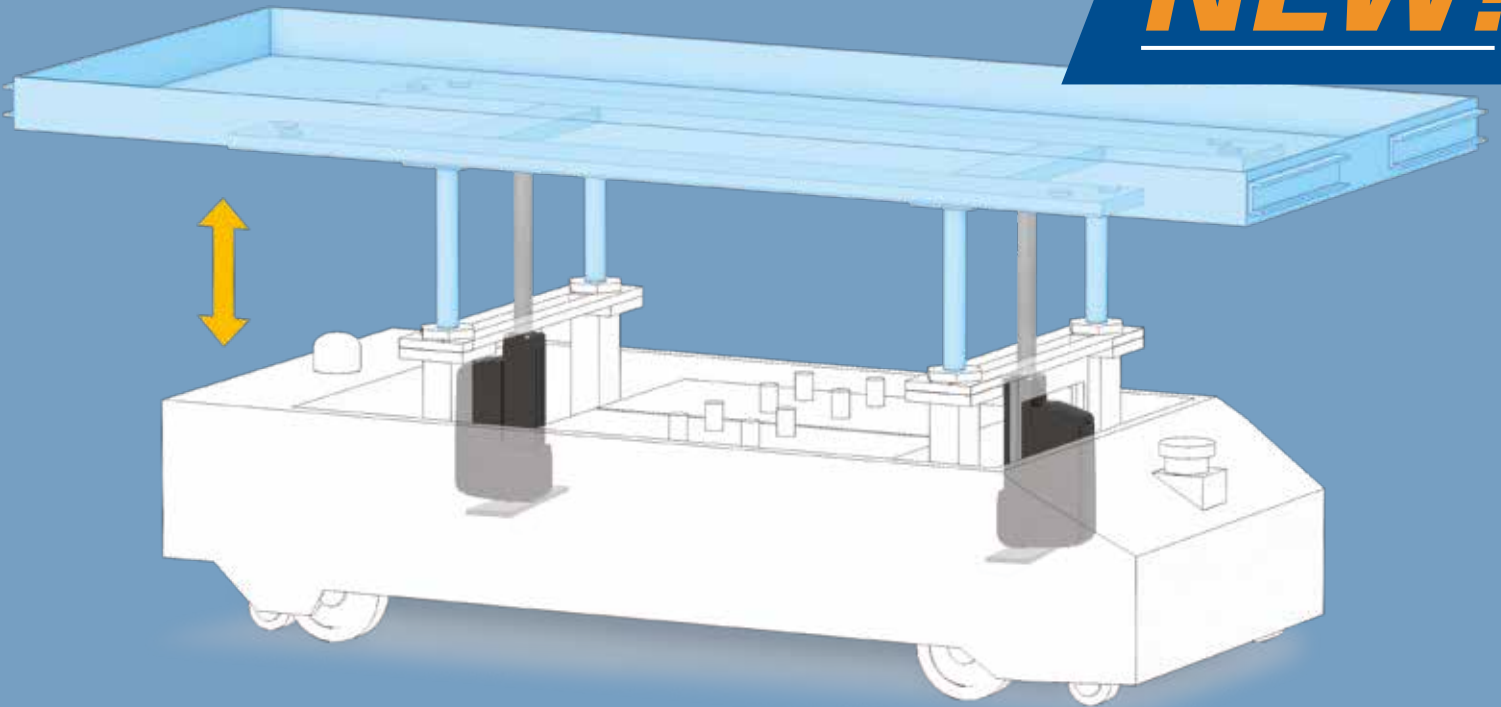


NEW!



Electrak[®] HD with Rear Mounting Flange

Electric Linear Actuator Ideal for Automated Guided Vehicles,
Mobile Equipment and Industrial Automation

Electrak® HD with Rear Mounting Flange

Electrak HD is now available with a rear mounting flange option that reduces its overall length vs. stroke length ratio. The more compact design makes it easier to fit into tight spaces and is ideal when designing different types of automation equipment, automated guided vehicles (AGVs) and lifting devices – all while maintaining the many popular advantages of Electrak HD.

Performance, Features and Control Options

There are no changes in the performance, features or control options when Electrak HD actuators are equipped with the rear mounting flange option, except for the limitation of maximum stroke to 300 mm. You can still take advantage of benefits such as standard manual override, vast onboard control options and long, maintenance-free life.

The Electrak HD Platform

Electrak HD is a state-of-the-art actuator platform with onboard electronics that eliminate the need for standalone controls. It has higher power than any other similar actuator, which opens a new, wider range of hydraulic-to-electric application conversions. Electrak HD meets the most extreme OEM component environmental acceptance tests, including IP69K, ensuring long and trouble-free operation.

General Specifications	
Screw type	ball
Nut type	load lock ball nut
Manual override	yes
Anti-rotation	yes
Dynamic braking	yes ⁽¹⁾
Static load holding brake	yes
End-of-stroke protection	internal end-of-stroke limit switches
Overload protection	yes
Temperature monitoring	yes
Temperature compensation	yes
Voltage monitoring	yes
Electrical connections ⁽²⁾	cable(s) with flying leads
Compliance	CE

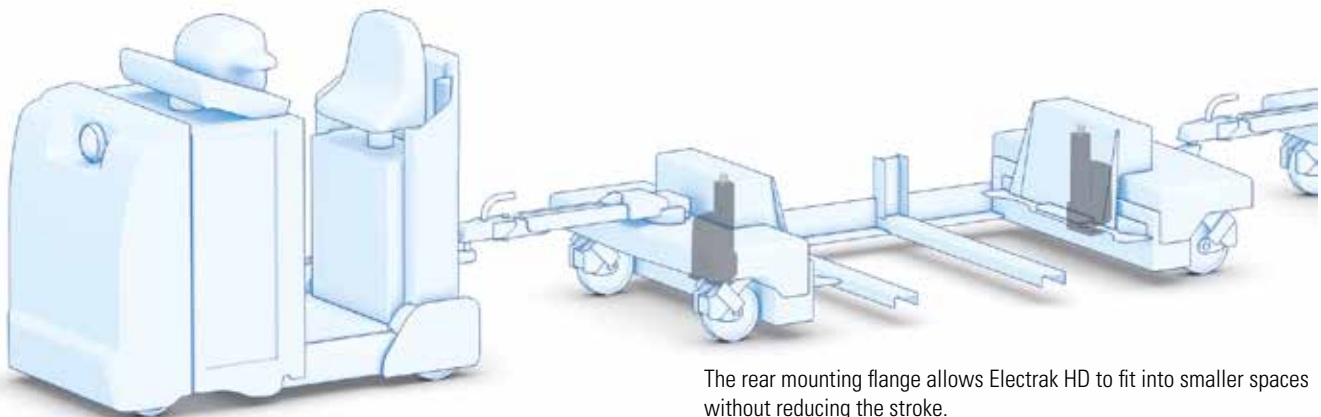
(1) Dynamic braking is included at the ends of stroke for all Electrak HD actuators. Dynamic braking offered throughout the entire stroke length only on low-level switching and J1939 options.

(2) There are one or two cables depending on the control option used. The cable(s) enters the actuator via a connector. The replacement of an actuator can be completed by unplugging the old actuator and plugging in the new one.

Technical Specifications		
Available input voltages	[Vdc]	12, 24
Max. static load ⁽¹⁾	[N (lbs)]	18000 (4050)
Max. dynamic load (Fx)	[N (lbs)]	10000 (2248)
Max. speed @ no load/max. load	[mm/s (in/s)]	71/58 (2.80/2.28)
Max. ordering stroke (S) length	[mm]	300
Restraining torque	[Nm (lbf)]	0
Operating temperature limits	[°C (F)]	-40 – 85 (-40 – 185)
Full load duty cycle @ 25 °C (77 °F)	[%]	25
Ingress protection rating - static		IP67 / IP69K
Compliances		CE

Ordering

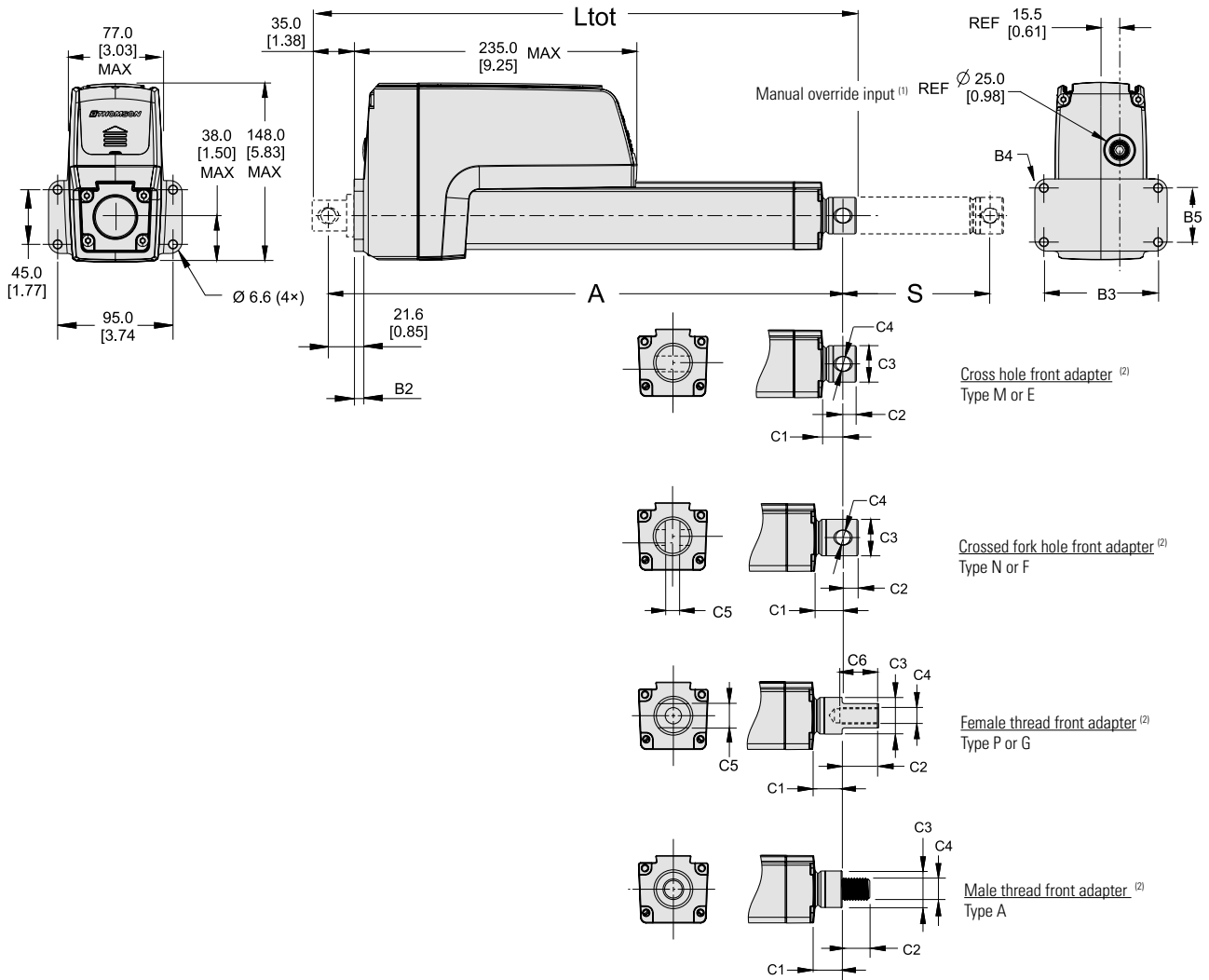
Ordering Key							
1	2	3	4	5	6	7	8
HD12	B026-	0300	LXX	2	A	M	S
1. Model and input voltage HD12 = Electrak HD, 12 Vdc HD24 = Electrak HD, 24 Vdc 2. Screw type, dynamic load capacity B017- = ball screw, 1.7 kN (382 lbs) B026- = ball screw, 2.6 kN (585 lbs) B045- = ball screw, 4.5 kN (1012 lbs) B068- = ball screw, 6.8 kN (1529 lbs) B100- = ball screw, 10 kN (2248 lbs) 3. Ordering stroke length ^{(1) (2)} 0050 = 50 mm ⁽³⁾ 0100 = 100 mm 0150 = 150 mm 0200 = 200 mm 0250 = 250 mm 0300 = 300 mm 4. Electrak Modular Control System options EXX = Electronic Monitoring Package only ELX = EXX + end-of-stroke indication output EXP = EXX + analog (potentiometer) position output EXD = EXX + digital position output ELP = ELX + analog (potentiometer) position output ELD = ELX + digital position output LXX = EXX + low-level signal motor switching LLX = LXX + end-of-stroke indication output LXP = LXX + analog (potentiometer) position output CNO = J1939 CAN bus + open-loop speed control SYN = LXX + Synchronization option				5. Cable length 1 = 0.3 m long cables 2 = 1.5 m long cables 3 = 5.0 m long cables 6. Rear adapter options A = rear mounting flange 7. Front adapter options A = metric M16 male thread M = cross hole for 12 mm pin E = cross hole for ½ inch pin N = forked cross hole for 12 mm pin F = forked cross hole for ½ inch pin P = metric M12 female thread G = inch 1/2-20 UNF-2B female thread 8. Adapter orientation S = standard M = 90 ° turned 9. Connection options D = flying leads <small>(1) Other stroke lengths available upon request. Please contact customer support. (2) Max. ordering stroke for the rear mounting flange type A is 300 mm. (3) 50 mm stroke units will have same retracted length and envelope size as a 100 mm unit.</small>			



The rear mounting flange allows Electrak HD to fit into smaller spaces without reducing the stroke.

Dimensions

Dimensions	Projection
mm [inch]	



Rear and Front Adapter Dimensions [mm]

	Rear Adapter Type	Front Adapter Types							
		A ⁽³⁾	M	E	N	F	P	G	A
B1	-	C1	see table on next page						16.5
B2	7.8	C2	10.9	10.9	12.9	12.9	30.0	30.0	20.0
B3	95.0	C3	see table on next page						
B4	6.6	C4	12.2	12.8	12.2	12.8	M12 × 1.75	1/2-20 UNF-2B	M16 × 2
B5	45.0	C5	-	-	8.2	8.2	19.0	19.0	-
		C6	-	-	-	-	35.0	35.0	-

(1) The input hole is covered with a plastic threaded plug. When removed, a 6 mm socket can be inserted and used as a crank.

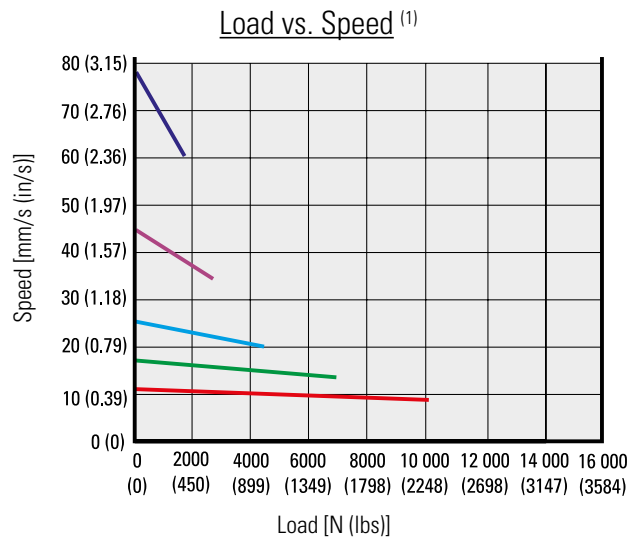
(2) All adapters shown in the standard orientation.

(3) Rear mounting flange type A can not be ordered with a higher maximum static load capacity than 10 kN or/and a maximum stroke of 300 mm.

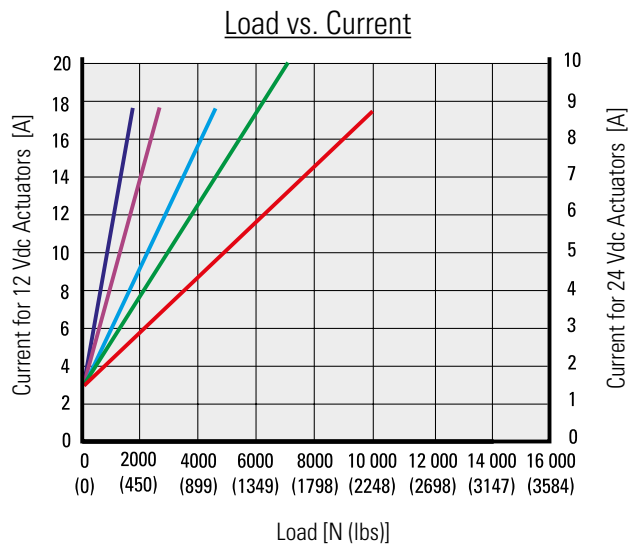
Dimensions

Maximum Dynamic Load and Stroke Relationships			
Maximum Dynamic Load (Fx) - kN (lbs.)	Total Length (Ltot), Retracted Length (A) and Adapter Dimensions [mm]		Ordering stroke (S) [mm]
			100 – 300
1.7 (382)	Ltot		A + B1 + C2
	A		S + 150.9 + B2 + C1
	C1	Type M, E	17.5
		Type N, F	26.5
		Type P, G	23.9
C3		30.2	
2.6 (585)	Ltot		A + B1 + C2
	A		S + 150.9 + B2 + C1
	C1	Type M, E	17.5
		Type N, F	26.5
		Type P, G	23.9
C3		30.2	
4.5 (1012)	Ltot		A + B1 + C2
	A		S + 150.9 + B2 + C1
	C1	Type M, E	17.5
		Type N, F	26.5
		Type P, G	23.9
C3		30.2	
6.8 (1529)	Ltot		A + B1 + C2
	A		S + 150.9 + B2 + C1
	C1	Type M, E	17.5
		Type N, F	26.5
		Type P, G	23.9
C3		30.2	
10 (2248)	Ltot		A + B1 + C2
	A		S + 180.9 + B2 + C1
	C1	Type M, E	17.5
		Type N, F	26.5
		Type P, G	23.9
C3		30.2	

Performance Diagrams



¹ Curves valid for all units except those with the synchronization option, where the speed at any load is 25% lower than for those without.



Screw Type and Dynamic Load Capacity

- ball screw, 1.7 kN (382 lbs) █
- ball screw, 2.6 kN (585 lbs) █
- ball screw, 4.5 kN (1012 lbs) █
- ball screw, 6.8 kN (1529 lbs) █
- ball screw, 10 kN (2248 lbs) █

Note: Curves were generated at an ambient temperature of 21°C (70°F). Different ambient temperature and individual actuator characteristics can produce slightly different values.

EUROPE

United Kingdom

Thomson
Office 9, The Barns
Caddsdow Business Park
Bideford, Devon, EX39 3BT
Phone: +44 1271 334 500
E-mail: sales.uk@thomsonlinear.com

Germany

Thomson
Nürtinger Straße 70
72649 Wolfschlügen
Phone: +49 7022 504 403
Fax: +49 7022 504 405
E-mail: sales.germany@thomsonlinear.com

France

Thomson
Phone: +33 243 50 03 30
Fax: +33 243 50 03 39
E-mail: sales.france@thomsonlinear.com

Italy

Thomson
Via per Cinisello 95/97
20834 Nova Milanese (MB)
Phone: +39 0362 366406
Fax: +39 0362 276790
E-mail: sales.italy@thomsonlinear.com

Spain

Thomson
E-mail: sales.esm@thomsonlinear.com

Sweden

Thomson
Estridsväg 10
29109 Kristianstad
Phone: +46 44 24 67 00
Fax: +46 44 24 40 85
E-mail: sales.scandinavia@thomsonlinear.com

SOUTH AMERICA

Brasil

Thomson
Av. João Paulo Ablas, 2970
Jardim da Glória - Cotia SP - CEP: 06711-250
Phone: +55 11 4615 6300
E-mail: sales.brasil@thomsonlinear.com

USA, CANADA and MEXICO

Thomson
203A West Rock Road
Radford, VA 24141, USA
Phone: +1 540 633 3549
Fax: 1 540 633 0294
E-mail: thomson@thomsonlinear.com
Literature: literature.thomsonlinear.com

ASIA

Asia Pacific

Thomson
E-mail: sales.apac@thomsonlinear.com

China

Thomson
Rm 805, Scitech Tower
22 Jianguomen Wai Street
Beijing 100004
Phone: +86 400 606 1805
Fax: +86 10 6515 0263
E-mail: sales.china@thomsonlinear.com

India

Thomson
c/o Portescap India Pvt Ltd
1 E, first floor, Arena House
Road no 12, Marol Industrial Area,
Andheri (E), Mumbai 400093 India
E-mail: sales.india@thomsonlinear.com

Japan

Thomson
Minami-Kaneden 2-12-23, Suita
Osaka 564-0044 Japan
Phone: +81 6 6386 8001
Fax: +81 6 6386 5022
E-mail: csjapan@scgap.com

South Korea

Thomson
3033 ASEM Tower (Samsung-dong)
517 Yeongdong-daero
Gangnam-gu, Seoul, South Korea (06164)
Phone: + 82 2 6001 3223 & 3244
E-mail: sales.korea@thomsonlinear.com

www.thomsonlinear.com

Electrak_HD_Actuator_Rear_Mount_BRUK-0030-01|20190515TJ
Specifications are subject to change without notice. It is the responsibility of the product user to determine the suitability of this product for a specific application. All trademarks property of their respective owners. © 2019 Thomson Industries, Inc.

 **THOMSON**[®]

Linear Motion. Optimized.[™]